

Woodman Radial Arm Saw

WOODMAN



Features

- Quiet, maintenance free induction motor
- Crosscut, bevel, mitre and ripping capacities
- Durable cast iron arm 4 roller bearings
- 100mm dust extraction port fitted
- Cast iron construction
- 8 carriage bearings

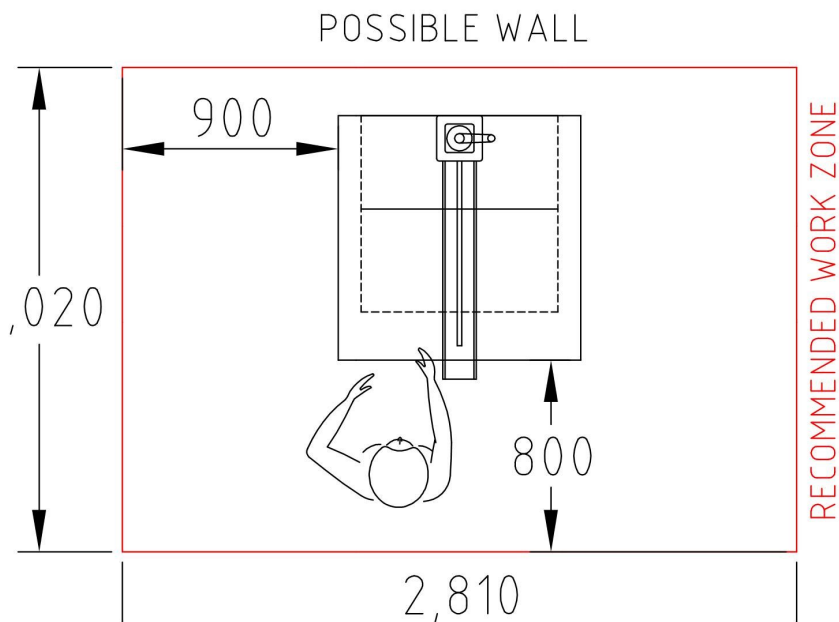
Specifications

- Motor: 2 HP, 1 PH
- Motor speed: 50 Hz, 2900 rpm
- Bearings for rails: 4 pcs
- Spindle bore diameter: 25.4mm
- Blade diameter: 305mm
- Head swivelling: 0-180°
- Head tilting: 0°, 22°, 45°, 90°
- Max trimming width: 700mm
- Max cross cutting length: 420mm
- Table area: 650 x 800mm
- Machine size: 800 x 650 x 1100mm
- Packing size: 900 x 550 x 690mm
- Net Weight/Gross Weight: 150/160kg

Woodman Radial Arm Saw

WOODMAN

WOODMAN RABS168
RADIAL ARM SAW
STANDARD TABLE



** Other length conveyors available on request



Emergency stop mounted at front side of machine