

# Woodman ES-689

## Edge Sander



### Features

The sanding belt sands in both the horizontal and vertical position or any angle in between 0 to 90 degrees

Belt backing plate is made from a precision ground steel plate

Main sanding paper runs on precision ball bearings and is oscillated by a heavy duty worm and gear mechanism

3 spindles from 38mm to 76mm in diameter, all have threaded ends for quick changes

100mm dust port for efficient dust collection at both sides of sanding belt

The front cast iron table can be moved both up and down and also back and forward in relation to the sanding plate

Special rubber idle roller and aluminium drive roller to ensure positive grip

### Specifications

Belt size: 152 x 2260mm

Table adjustment (up/forward): 90mm / 120mm

Front Table size: 680 x 305mm

Belt tilt: 0° - 90°

Auxiliary table size (cast iron): 290 x 225mm

Belt speed: 960M.P.M

Overall dimensions: 1300 x 700 x 1215mm

Motor: 2HP, 4P, 1720RPM

N.W/G.W: 180 / 210 kgs

### Optional Accessories

Abrasive belt 150 x 2750 (various grits)

Mobile base

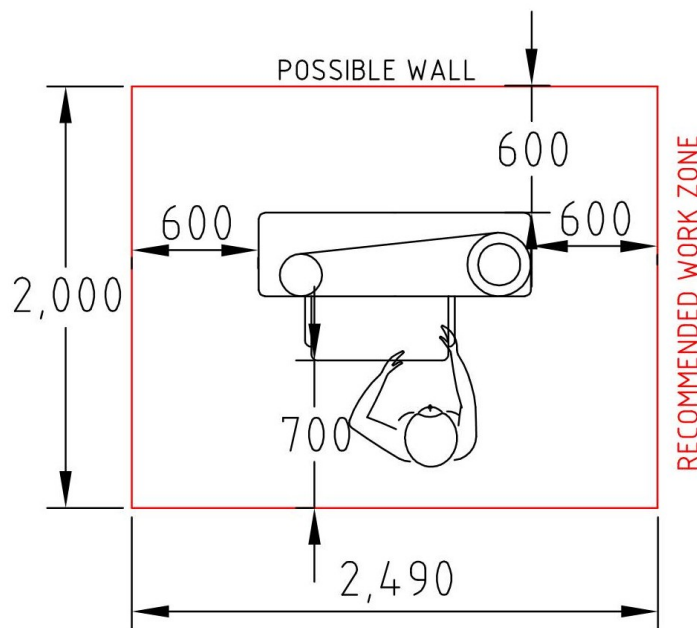
Abrasive belt restorer

# Woodman ES-689

## Edge Sander



WOODMAN BELT  
SANDER ES-689



Universal emergency stop that can be activated  
in both operating positions