

Woodman Buffing Machine

WOODMAN



Specifications

No Volt release on/off switch gear and emergency stop button

Shaft Diameter: 16mm

Speed: 2800 rpm

Motor: 1 HP, 1 PH

Overall Dimensions: 437 x 227 x 292mm

Weight: 18kg

Features

Cast iron motor housing and totally enclosed,
permanently lubricated ball bearings

Steel tool rests adjust to accommodate your needs

Acrylic eye shields deflect sparks away from
operator

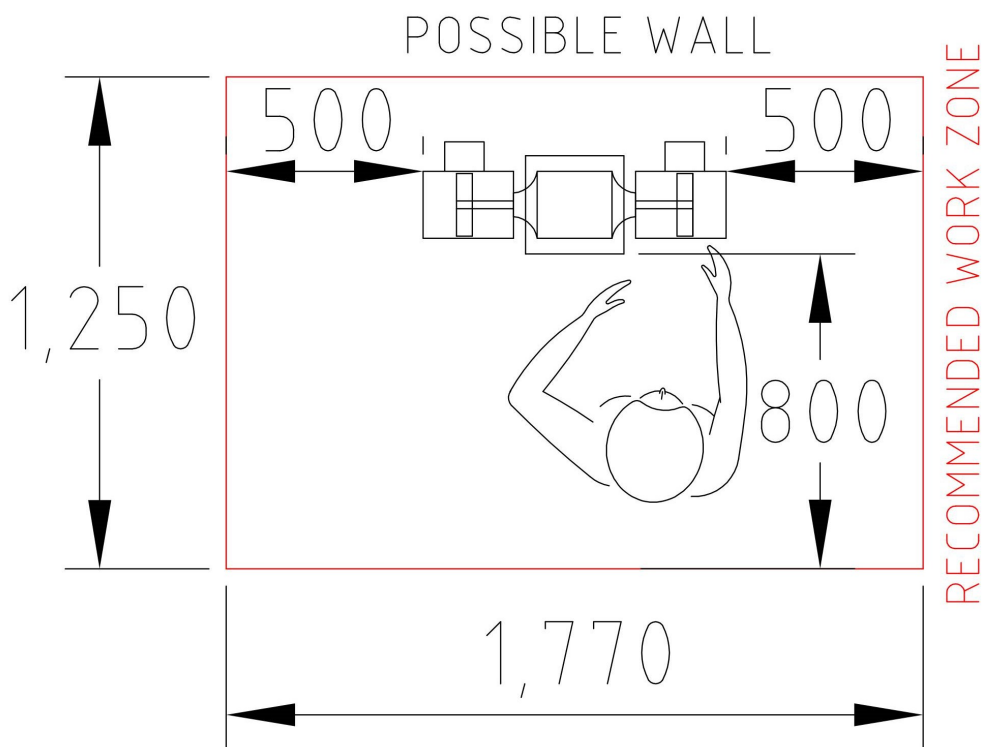
Includes two tapered spindles, one stitched and
one loose leaf buffs

Pictured with optional stand with built in dust ex-
traction

Woodman Buffing Machine

WOODMAN

WOODMAN BUFFING MACHINE ON STAND



Front mounted emergency stop