

Woodman 8" Bench Grinder



Features

Robustly constructed and designed to give long service

Single or three phase motor with condenser

Supplied complete with grinding wheels 1 course, 1 fine, safety eye shields

Ideally suited for wood, metal and leather jobs

Comes with no volt release switch

Specifications

Wheel dimensions: 200 x 25mm

Shaft Diameter: 16mm

Speed: 2950 rpm

Distance between wheel centres: 395mm

Motor: 1 HP, 1 PH/ 3 PH

Guard extractor: 34mm

Guard thickness: 2.5mm

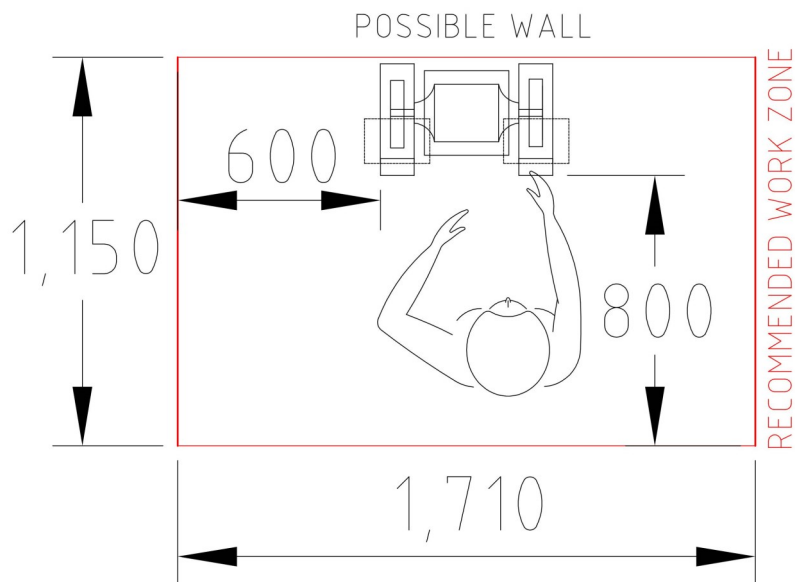
Dimensions: 520 x 350 x 320mm

Weight 19kg

Woodman 8" Bench Grinder



WOODMAN BG/1 - 8"
GRINDER ON STAND



Front mounted emergency stop



Optional guarding with micro switch lock out