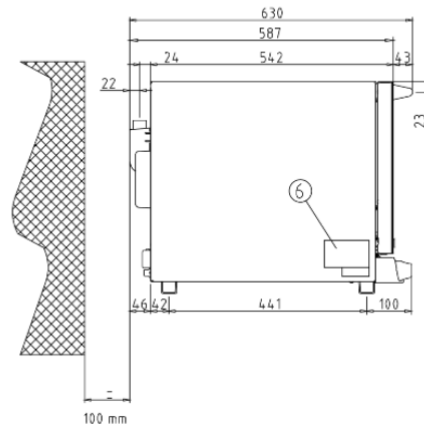
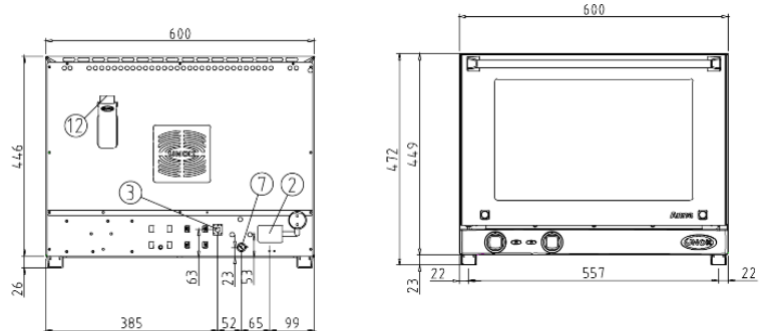


UNOX UNXF-023AS

Convection Oven



Features

DryPlus Technology for quick humidity extraction

Maximum thermal efficiency with cool glass door and externals

Easy view of the settings and real values of time left of the baking program and oven temperature.

Continuous functioning

Setting of temp in degrees C and F

Rounded baking chamber with high resistant ferritic steel, for hygiene and easy cleaning.

Baking chamber lights

Safety temperature switch

Specifications

Weight: 22kg

Width: 600mm

Depth: 587mm

Height: 472mm

Mains Voltage: 230V - 10Amp

Wattage: 2400W

Warranty: 12 Months

Max Temp: 300C

Incl: 2 wire racks , 70mm spacing

Can fit up to 4 trays