

Putsch Meniconi Wall Saw

SVP 133 + 133 Baby



Specifications

Max. Length of cut: 3200 / 2700mm

Max. Height of vertical cut: 1900mm

Max. Horizontal Height of cut: 1700 / 1500mm

Max. Depth of cut: 60mm

Blade Diameter: 250mm

Motor: 4HP 3 phase

Blade RPM: 5300

100mm dust port

Installed dimensions: 4630 x 1500 x 2600mm

Baby dimensions: 3400 x 1500 x 2300mm

Beam package: 2900 x 1130 x 750mm - 450 kg

Frame package: 4830 x 220 x 200mm—350 kg

Putsch Wall Saws

Putsch wall Saws respond to all cutting requirements and offer the best value for money. Thanks to a wide range of accessories these machines guarantee performance that is typical of high-category equipment and will increase productivity. They are designed to meet the needs of any user and are suitable for a variety of cutting applications.

Features

Heavy duty industrial construction

Shifting frame to avoid the cutting of the plastic strips during horizontal cuts

Aluminium supports with phenolic soles for a safe support of the panels

Lift-up Rollers to ease the sliding of panels

2 Stops for vertical cut - short piece cutting device

Self breaking motor

Accessories

V grooving for Alucabond panels

Digital vertical measuring display

Sliding support for narrow pieces

Angle cutting device

Low level stop

Digital horizontal measuring display

Extra short cutting device

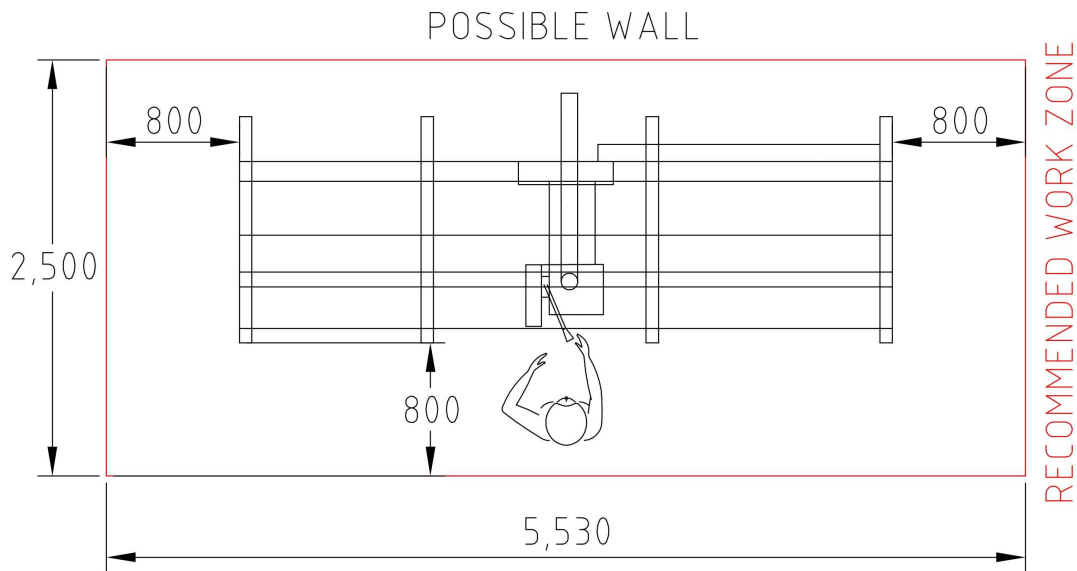
Scoring unit with 2 H.M. knives

Scoring unit with 2 split saw blades

Putsch Meniconi Wall Saw

SVP 133 + 133 Baby

PUTSCH MENICONI SVP-133
BABY WALL SAW



Front mounted emergency stop