

Maggi Junior 640 CE Radial Arm Saw



Features

- Quiet, maintenance free induction motor
- Crosscut, bevel, mitre and ripping capacities
- Durable cast iron arm 4 roller bearings
- 100mm dust extraction port fitted
- Self braking motor with overload protection
- Blade guard with anti-noise system
- Cast iron construction
- 8 carriage bearings

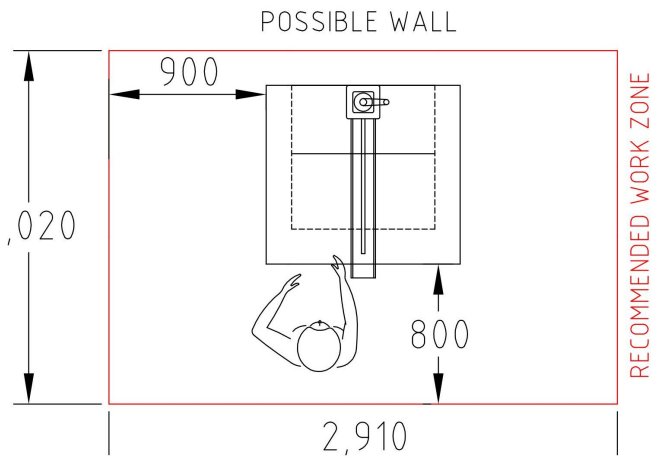
Specifications

- Blade diameter: 400mm
- Motor speed: 2800RPM
- Maximum cut height: 125mm
- Motor: 4HP, 3PH or 3HP, 1PH
- Blade bore diameter: 30mm
- Table dimensions: 975 x 1580mm
- Maximum cut width: 20 x 545mm | 125 x 450mm
- Max. cut width at 45°(R)(20mm materials): 100 x 330mm
- Max. cut width at 45°(L)(20mm materials): 100 x 140mm
- Dimensions: 6900 x 1250 x 1400

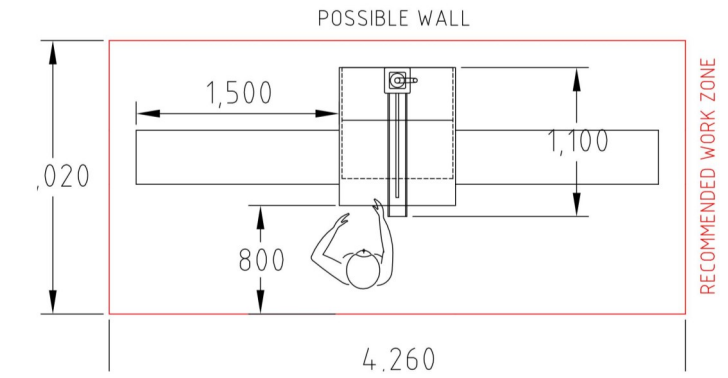
Maggi Junior 640 CE Radial Arm Saw



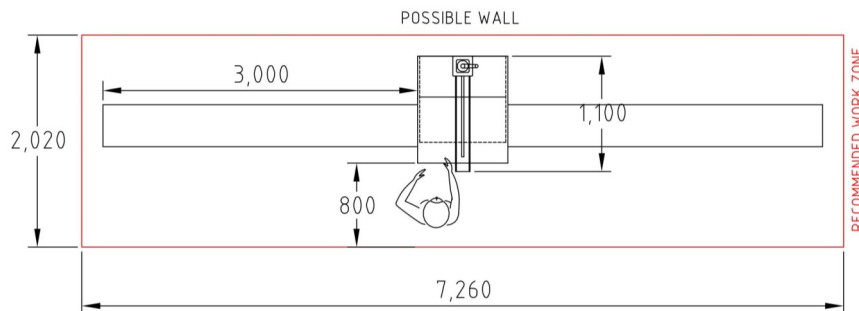
MAGGI 640 RADIAL
ARM SAW
STANDARD TABLE



MAGGI 640 RADIAL
ARM SAW & 1.5MTR
CONVEYERS



MAGGI 640 RADIAL
ARM SAW & 3MTR
CONVEYERS



Safety Work Zone



Front mounted emergency stop