

Laguna Lathe

REVO 18-36 - 2HP Lathe

LAGUNA



Laguna REVO 18 - 36 Lathe

Laguna tools is leading the Revo-lution in lathes. The new generation lathe has more mass than any other machine in its class, less vibration and a revolutionary servo motor drive system for much higher torque in low RPM. Expect the REVO to exceed your expectations.



Specifications

Electrical: 2 HP, 240 Volt, 50Hz

Motor: Induction, 1725RPM, TEFC

VDF: Delta S1 Variable Frequency Drive

Poly-Groove Drive Belt w/EZ Access

Spring Loaded Spindle Lock

Max. Outboard Swing: 813mm

Swing and Banjo: 343mm

Steel Bed: ASTM A36

Spindle Taper: MT #2

Swing Over Bed: 457mm

RPM High: 135-3500

RPM Low: 50-1300

Tailstock Quill: 114mm, Engraved, Self Ejecting

Distance between centres: 914

Tailstock storage of centres

Spindle Size: 31¼mm x 8 TPI RH

Dimensions: 1524 x 660 x 1193mm

Weight (Net/Ship): 193/217kg

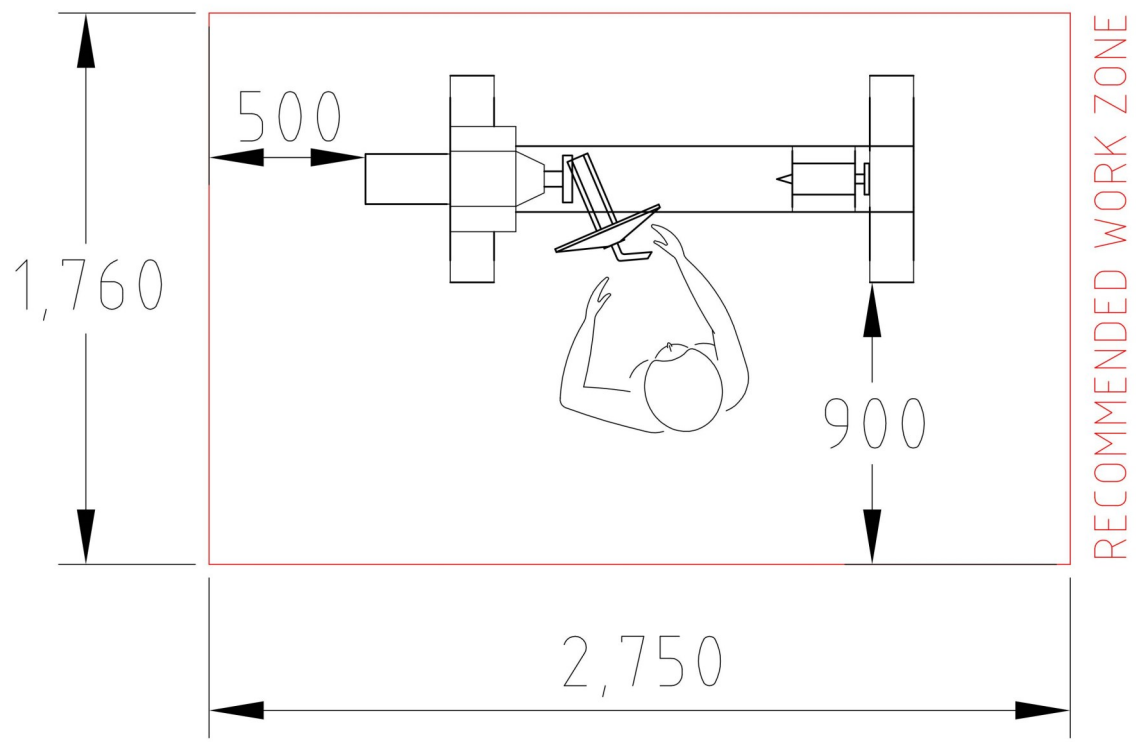
Laguna Lathe



REVO 18-36 - 2HP Lathe

LAGUNA 18-36 WOOD LATHE

POSSIBLE WALL



Head stock mounted emergency stop



Optional head stock guard with micro switch cut out