

Laguna 20" HD Thicknesser



Features

500mm (20") width of cut

Depth of cut digital readout with tape backup

Table: 1575 x 533mm wide including 2 x extensions

6 rows ShearTec II helical cutterheads with four sided German carbide knife inserts

Mechanical adjustment of bed

Mechanical adjustment of bed rollers

Fully enclosed cabinet

Specifications

Motor: 10 HP, 3 PH

6 rows of 23 helical knives = 138 total knives

2 x feed speeds: 4.8 & 6.0 metres / min

125mm dust hood

Max removal: 3mm per pass

Min-Max depth of cut: 4.8mm – 203mm (3/16" - 8")

Overall dimensions with cast iron extension tables installed: 990 x 1575 x 1170mm high

Weight: 544kg

Options

10 pack of Shear Tec II carbide insert knives

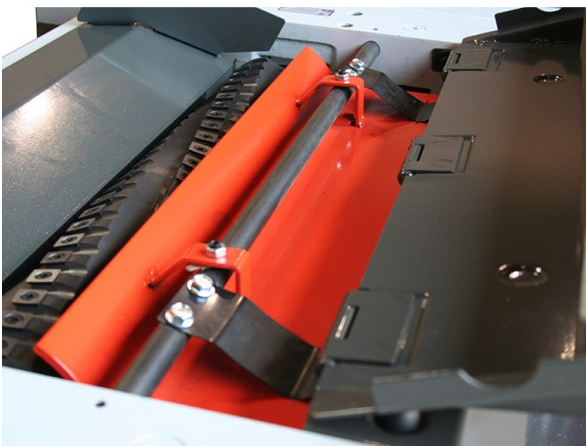
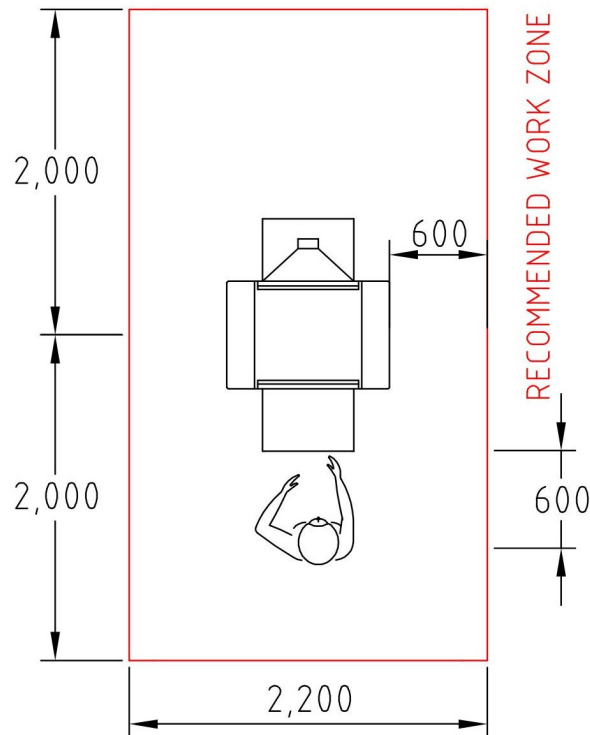


LAGUNA

Laguna 20" HD Thicknesser

LAGUNA

LAGUNA LT20
THICKNESSER



Helical cutter block significantly reduces noise in classrooms



Front mounted emergency stop and key lock out