

Laguna

## 20 Inch Disc Sander

# LAGUNA



### Features

Powerful motor and cast iron motor housing for efficient heat dissipation

Adjustable work table for angled sanding

Brake which is able to stop disc running within 3 seconds

Integrated T-slot for mitre gauge and circular sanding unit

Mitre gauge included

Industrial riken switching

Dust chute

### Specifications

Motor: 2 HP 1-Phase or 3 HP 3-Phase TEFC

Motor: Cast iron frame, 1720 RPM Direct Drive

Disc Speed: 3600 SFPM

Direction: Forward/Reverse

Magnetic Start Switch, 1.8m wire no plug

Foot-brake w/ Micro Switch

Size: 508mm steel disc dynamically balanced

Table: 685 x 266mm

Table Travel: Smooth Rack & Pinion w. Assist

Table height min: 711mm exposes 457mm of disc

Table height max: 914mm exposes 279mm of disc

Table tilt: 45° Downward and 30° Upward

Cast Iron Base: 558 x 584mm with holes for bolts

4" Dust-Chute mounted to cast-iron wrap-around Guard

Aluminium Top Guard flips away for easy access

Miter Gauge

Dimensions: 1397 x 711 x 736mm

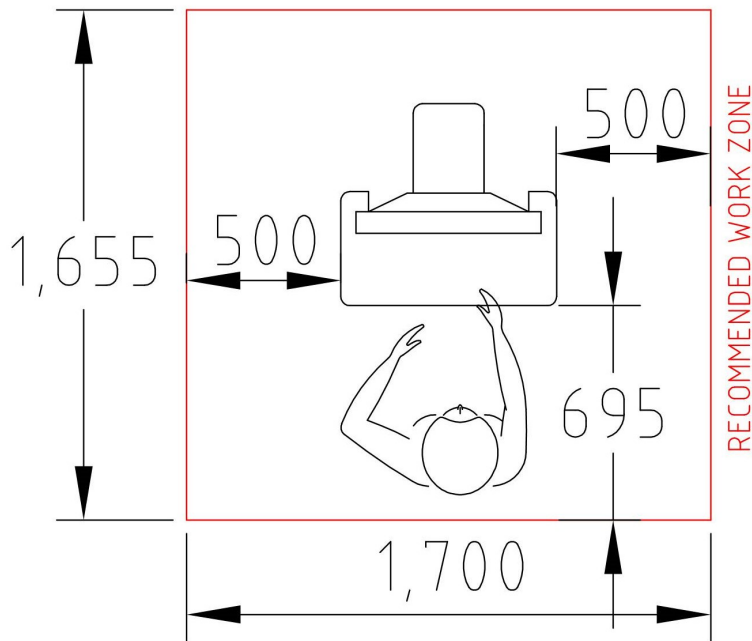
Weight (Net/Ship): 226/267kg

Laguna

## 20 Inch Disc Sander

# LAGUNA

LAGUNA DS20 DISC SANDER



Top mounted emergency stop



Foot brake emergency stop with electrical cut out