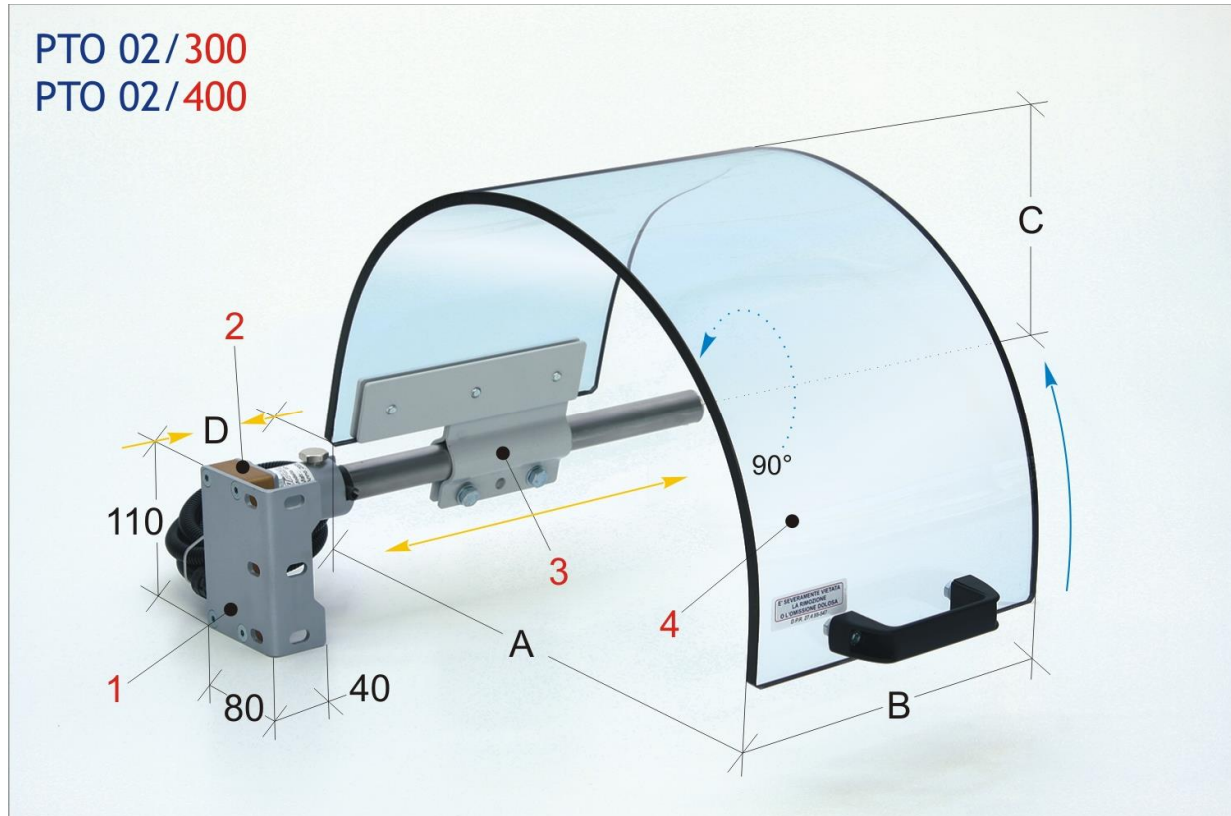


Tecno Più

PTO 02—Lathe Guard



Features

The shields nature makes it ideal to be positioned close to the machines head

Protects the operator from direct contact with the upper part of the chuck lathe and from lubricant coolant projection

Frontally and laterally attachable to the base equipped with semicircular shield, adjustable up to the machine head

Compete with safety microswitch main box 90° rotation

Available in various sizes

Monolithic shield in thick plastic shockproof & oil resistant material

Adjustable shield connection clamp with support arm

Specifications

Code: A,B,C,D

PTO 02/300: 300, 200, 210, 0-200

PTO 02/400: 400, 220, 260, 0-190

PTO 02/500: 500, 240, 310, 0-180